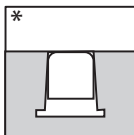
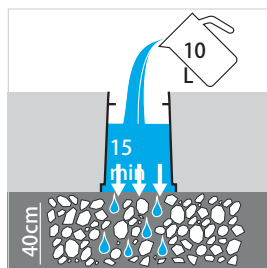
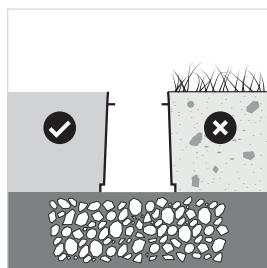
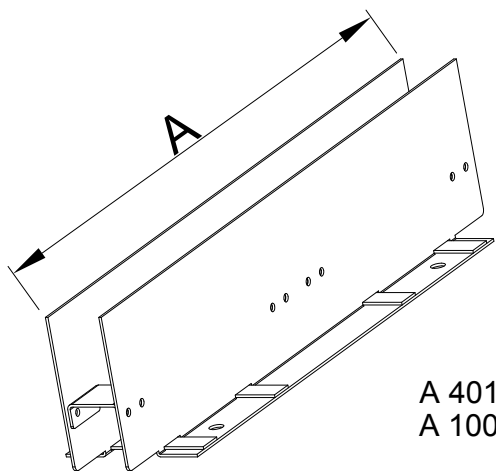


# OUTDOOR



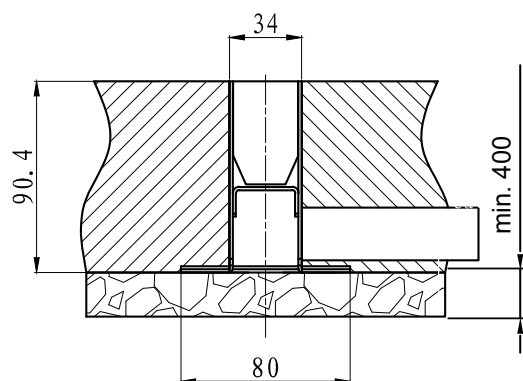
①

HOUSING

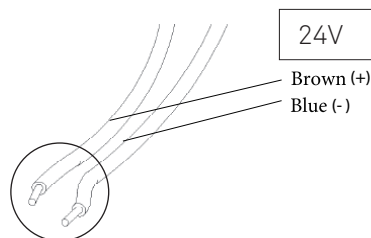


②

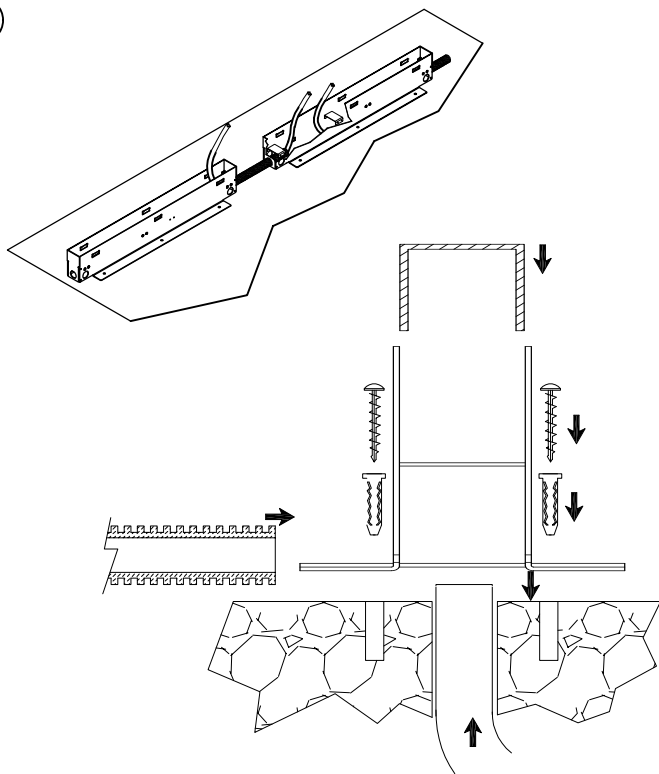
housing cover



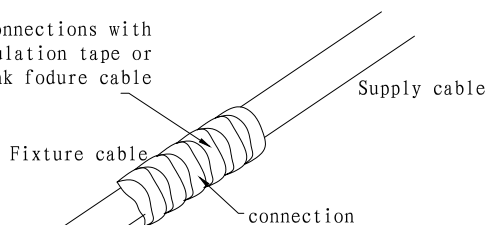
CABLE WIRING MARKINGS



③



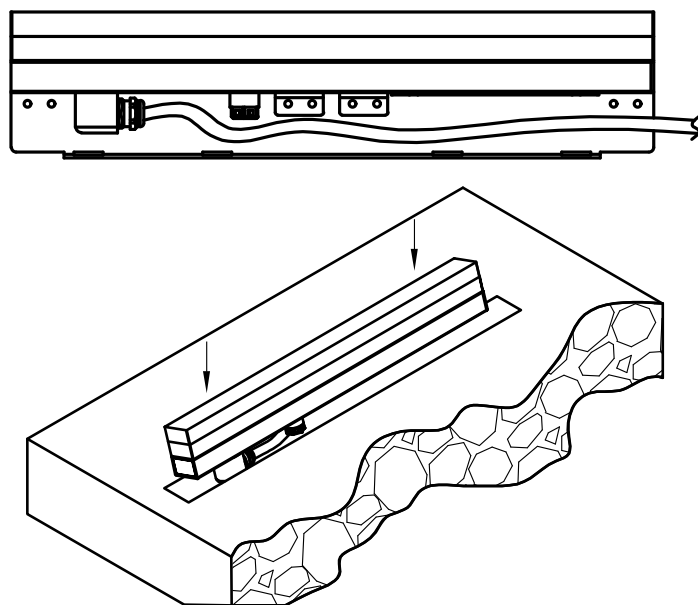
Insulate electrical connections with electrical insulation tape or thermo shrink fodure cable



Note: for wet location use IP68 connector

④

OK



⑤

